

System concept

The Vectron POS Touch 12 has been developed for the highest demands. Thanks to its outstanding features, Vectron POS Touch 12 is particularly suitable for use in difficult environments like in bakery shops or on restaurant counters. Even here it works absolutely reliably and boasts a long service life.



Hardware

Technical data of Touch 12 POS system	
Display diagonal	307 mm (12.1")
Display type	TFT-LCD
Display backlight	LED backlight
Display size (active)	246 x 184.5 mm
Display resolution	800 x 600 pixel
Colours	up to VPOS version 5.x: 256 colours as of VPOS version 6.0.0.0: True Color
Input	Touchscreen; 5-wire analog-resistive
Housing and foot	plastic anthracite and coated metal
Processor	Marvell ARMADA 168, 1066 MHz
Main memory	512 MB DDR2-RAM
Cache	1 MB SRAM
Mass memory	4 GB Flash memory
Network	10/100BASE-T; Ethernet
USB ports	8x USB 2.0; type A; 2 of which at the bottom
Serial ports	6x RS232; type RJ45; for additional devices
Cash drawer ports	2x type RJ12; for up to four cash drawers with Y-cable
Audio socket	3.5 mm jack; stereo; for loudspeaker
SD-card slot	for SD-cards up to 4 GB and SDHC-cards up to 32 GB
SIM-card slot	for standard Mini SIM-cards (25 x 15 mm)
Loudspeaker	mono; 2 W



DATA SHEET

VECTRON POS TOUCH 12



Technical data of Touch 12 POS system	
Power supply	with foot: Vectron PS60/PS61 (integrated in foot) with wall mount: Vectron PS61
Buffer battery	for permanent power supply of the cache
Power consumption	13 W in normal operation without external devices 0.5 W in standby
Temperature	storage: -10 to 50 °C operation: 0 to 40 °C
Dimensions (W x H x D)	with foot S400: approx. 308 x 390 x 270 mm (depending on tilt angle) with foot S500: approx. 308 x 200 x 351 mm (depending on tilt angle) with wall mount: 308 x 280 x 104 mm
Weight	with foot S400: approx. 9.3 kg with foot S500: approx. 5.8 kg with wall mount: approx. 4.3 kg
Certified	CE

Technical data of power supply Vectron PS60 or Vectron PS61	
Input voltage	100 to 240 V alternating voltage
Output voltage	+ 24 V direct current
Output current	max. 3.75 A
Output power	max. 90 W
Power consumption	max. 93 W
No-load loss	0.3 to 0.5 W
Temperature	storage: -40 to 85 °C operation: 0 to 40 °C
Air humidity	operation: 5 to 95 %, non condensing
Dimensions (W x H x D)	145 x 60 x 32 mm
Weight	PS60: 450 g / PS61: 495 g
Certified	CE, UL 60950-1

Software

Technical data of Vectron POS software	
PLUs	1,000,000*
Departments	65,535*
Operators	2,000*
Guest checks or customers	65,535*
Cash registers per network	200*
Printers per network	100*
User interface as of VPOS version 6.0.0.0	use of own images and icons also with transparency channel pre-defined high-resolution fonts





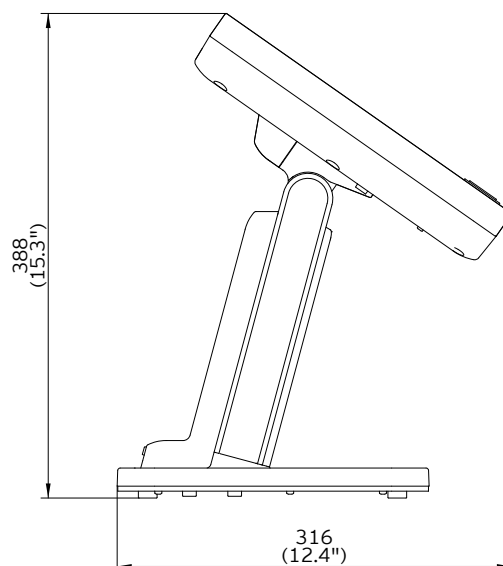
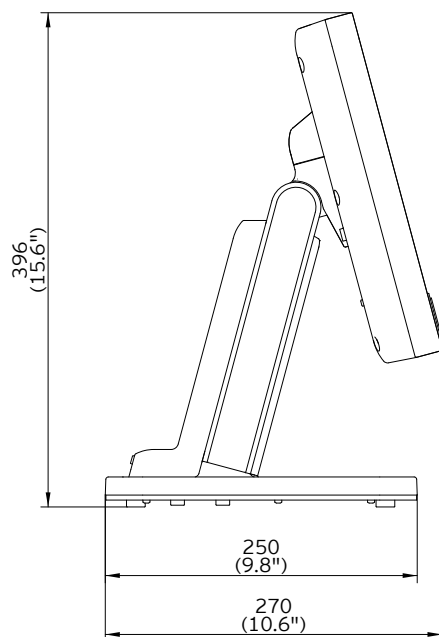
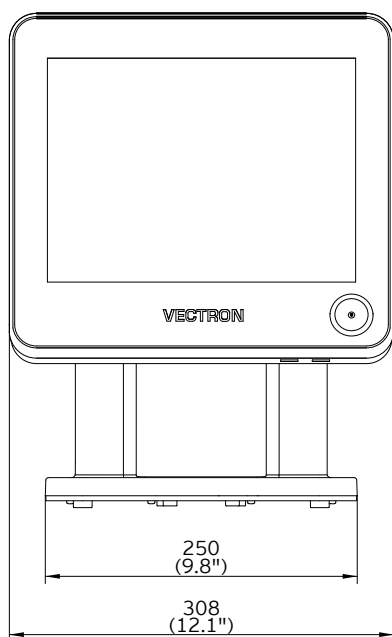
Technical data of Vectron POS software	
bonVito	unrestricted support of the bonVito online marketing tool (liable to costs - more information and prices at www.bonvito.net)
*	The indicated values are maximum values, which can only be reached with special programming and optimum hardware equipment. The available functions also depend on the used software version and the programming of the POS system. Please contact your Vectron dealer to assist you with your special requirements.

Shipment

	Vectron POS Touch 12 (with foot S400)	Vectron POS Touch 12 (with foot S500)	Vectron POS Touch 12 (with wall mount)
Standard shipment	Vectron POS Touch 12 POS system incl. foot S400	Vectron POS Touch 12 POS system incl. foot S500	Vectron POS Touch 12 POS system incl. wall mount
	Housing Touch 12 port cover foot	Housing Touch 12 port cover foot	Housing Touch 12 port cover wall mount
	Power supply Vectron PS60	Power supply Vectron PS61	Power supply Vectron PS61
	Operator lock Vectron L10 with four operator keys		
	Two covers each for the SD-card- and SIM-card slot		
	Power cord		
	Vectron POS software with licence		
	Notes on safety and installation		
	Dispatch box		
Optional accessories	Operator lock Vectron L21, Vectron L30		
	Customer display Vectron C56, Vectron C75, Vectron C100		

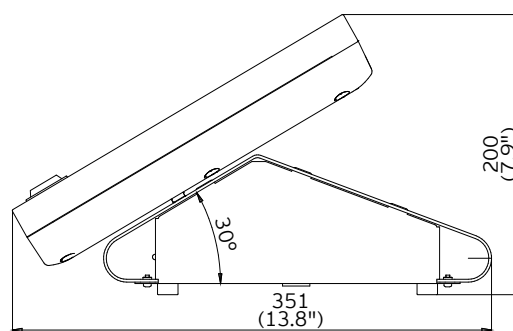
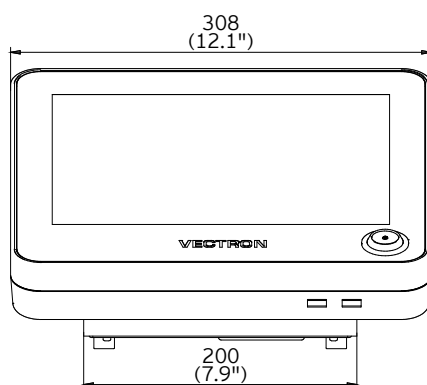
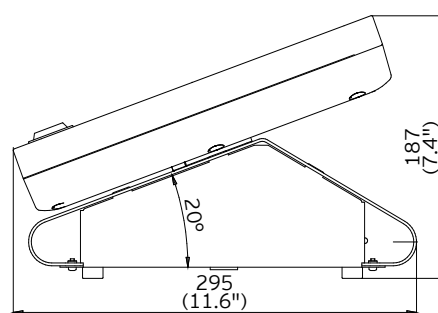
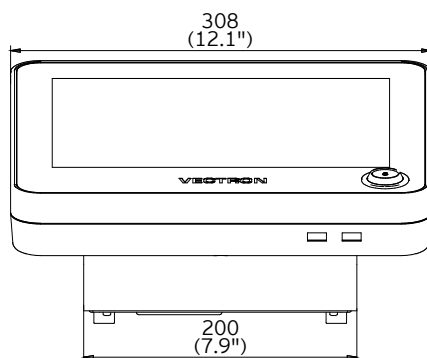


Dimensions incl. foot S400 (in mm and inch)





Dimensions incl. foot S500 (in mm and inch)



Dimensions incl. wall mount (in mm and inch)

